



**OPTIMUM
ARMS**

THE WISE CHOICE

**INSTRUCTION MANUAL
FOR
OP TAC 300 SEMI-AUTO SHOTGUN**

**WARNING: READ THE INSTRUCTIONS AND SAFETY
PRECAUTIONS IN THIS MANUAL CAREFULLY BEFORE
USING THE FIREARM.**

“SAFETY” FIRST AND FOREMOST

SHOTGUNS ARE DANGEROUS WEAPONS THAT MAY CAUSE SERIOUS INJURIES OR DEATH. WHEN USING ANY SHOTGUN, SAFETY MUST BE YOUR FIRST AND CONSTANT CONCERN.

READ AND UNDERSTAND THE FOLLOWING SAFETY RULES

KNOW YOUR OP TAC 300

Before assembling or using the shotgun, read and understand the instructions and safety warnings contained in this Owner’s Manual in order to learn how to use it safely and correctly.

ALWAYS TREAT YOUR SHOTGUN AS IF IT WAS LOADED.

Use the manual safety button as outlined in this manual. Never move the safety to “FIRE” until you are READY to fire.

KEEP THE MUZZLE POINTED IN A SAFE DIRECTION.

The safe direction may be “up” on some occasions, and “down” on others. Never point the muzzle toward anything not intended as a target.

USE ONLY THE CORRECT AMMUNITION FOR YOUR OP TAC 300

Be sure to use only the correct gauge and length ammunition for your OP TAC 300 as mentioned whether on the barrel or the receiver.

ALWAYS UNLOAD YOUR SHOTGUN WHEN NOT SHOOTING.

Never transport or store a loaded shotgun in a vehicle or building. Unload it before climbing a fence or obstruction, or entering a slippery area.

MAINTAIN YOUR SHOTGUN.

Keep the barrel clean and free of obstructions. Clean your shotgun regularly and have it inspected periodically to make sure it is mechanically correct and functioning properly. Worn or damaged parts can be dangerous.

DO NOT MAKE ADJUSTMENTS.

Never make changes or alterations to your shotgun. Do not make any adjustments on any component. Repair should be performed by the Authorized Service Centers.

MAKE YOURSELF SAFE.

Always wear shooting glasses. When target shooting or plinking, always use ear protection. If your shotgun is equipped with a muzzle brake or is “ported”, wear ear protection at all times. Never drink alcoholic beverages before or during shooting.

REMEMBER - SHOTGUNS SAFETY DEPENDS ON YOU!!

TECHNICAL SPECIFICATION

ACTION	SEMI-AUTOMATIC
CARTRIDGE	12 GA
OPERATION	GAS OPERATING
CHAMBER	76MM (3")
MAGAZINE	TUBE-FED 7+1 (CUSTOMIZABLE)
MODEL	OP TAC 300
ROUND/SECOND	ONE ROUND ON
AVERAGE SIGHT	GHOST-RING
TOTAL WEIGHT	EMPTY: 3.6 KG (7.9 LB)
HAND-DOMINANCE	RIGHT
CARRIAGE	2-POINT SLING SWIVEL
STOCK	MONOBLOCK (RUBBER BUTT PAD)
EFFECTIVE RANGE	100M/109.36 YD (SHOTSHELL), ~250M (SLUG)
BARREL LENGTH	47 CM (18.5"):
CUSTOMIZABLE OVERALL LENGTH	101 CM (43.3")

GENERAL SHOTGUN DIAGRAM



1. Magazine Tube Cap	10. Front Sight
2. Magazine Tube	11. Front Sling Mount
3. Barrel	12. Charging Handle
4. Forend	13. Picatinny Rail
5. Receiver	14. Rear Sight
6. Trigger Group Pin	15. Cartridge Release
7. Trigger	16. Bolt
8. Stock	17. Grip
9. Recoil Pad	18. Rear Sling Mount

A GUN OWNER'S RESPONSIBILITY

Your constitution has granted you the right and honor to own a shotgun. Treat this privilege with care and respect. As the owner of a shotgun, you have the responsibility and obligation of ensuring that any and all shooting activities are safe for everyone. This requires your personal commitment to carefully read, fully understand, and exercise the principles of proper shotgun safety at all times.

Disclaimer: The shotgun in which these safety rules apply is sold under the expressed conditions that the manufacturer accepts no liability in part or whole for bodily injury, death, or property damage from:

- Improperly or carelessly handling the shotgun.
- Using defective, improper caliber, hand-loaded, or reloaded ammunition.
- Inadequate maintenance of the shotgun resulting in corrosion or damage.
- Negligence or malfunctions.
- Resale in contradiction of any applicable laws or regulations.
- Altering or converting the shotgun's original aesthetic, functioning mechanisms, accessories, or mechanical configuration.
- Discharging with criminal intent or negligence.
- Failure to understand, adhere to, and follow the rules of shotgun safety when using or handling the shotgun.

- Or any other circumstances outside the manufacturer's direct or immediate control.

SERIAL NUMBER OF THE SHOTGUN

The serial number is located on various parts of the shotgun. Each serial number is specific to that shotgun and is used for identification and registration. It is recommended that you record your serial number in your manual and keep the information in a secured location.

SHOTGUN SAFETY

IMPORTANT WARNING: It is important for you to receive proper training from a competent shotguns instructor or authority before beginning to shoot or when handling the shotgun.

IMPORTANT WARNING: Failure to adhere to the rules of shotgun safety can result in serious injury, death, or destruction of property. Children are attracted to and can operate shotguns that can cause severe injuries or death. Prevent child access by always keeping guns locked away and unloaded when not in use. If you keep a loaded shotgun where a child can obtain and improperly use it, you may be fined or sent to prison.

1. COMPLETELY READ AND UNDERSTAND YOUR OWNER'S MANUAL GUIDELINES BEFORE USING YOUR OP TAC 300

You should fully understand the function of all of the components and mechanics of the shotgun. Before you remove it out of the box thoroughly read the owner's manual on how to properly carry, handle, load, unload, and store your new shotgun. Know the rules of proper gun safety and exercise them at all times because failure to do so may result in death or injury to yourself or others. Because it is impossible to list every shotgun situation or scenario, be aware that certain circumstances may require additional safety rules unique to a particular situation. In these cases, we recommend that you use sound gun safety rules, judgment and discretion.

2. ALWAYS LEARN THE SPECIFIC MECHANICAL AND HANDLING CHARACTERISTICS OF YOUR SHOTGUN.

All shotguns are different thus it is important for you to understand how to properly carry, use, and handle each one according to its specific guidelines. Before using any shotgun, one must completely familiarize themselves with the type of shotgun and its specific safe handling procedures for loading, unloading, carrying, shooting, maintenance, and storing.

NEVER: Give the shotgun to any person who has not thoroughly familiarized with all of the information, safety rules, and warnings in the owner's manual.

3. ALWAYS KEEP THE SHOTGUN UNLOADED UNTIL READY TO USE.

Shotguns should be kept unloaded when not in use. Whenever you pick up a shotgun, immediately engage the safety device and remove the magazine to visually inspect the chamber and confirm that it is clear. Always unload all ammunition from the chamber and remove the magazine after:

- 1) Shooting,
- 2) Before putting the shotgun away,
- 3) Putting it into a holster,
- 4) when not in use, and when handing it over to another person.

NEVER:

- Leave a loaded gun unattended, propped up against a surface, or out of your hands.
- Assume a shotgun is unloaded, even if you used it last. Always check to make sure that there is no ammunition and the chamber is clear.
- Load a cartridge into the chamber until you are ready to fire.
- Carry or transport your shotgun with live ammunition in the chamber.
- Pass a shotgun to another person or accept a shotgun from another person, until the cylinder or action is open and you have personally checked that the weapon is completely unloaded.

- Haul a loaded shotgun openly or in a carrying case.
- Transfer or hand a loaded shotgun to someone else.

4. ALWAYS KEEP YOUR FINGER OFF THE TRIGGER UNTIL YOU ARE READY TO SHOOT.

When holding the shotgun be sure to rest your finger on the trigger guard and along the side of the gun.

NEVER:

- Touch the trigger until you are ready to fire.
- Engage in horseplay while handling a shotgun.
- Rely on the safety devices of the gun. Mechanical safeties are never foolproof and can wear out and malfunction over time. Remember to always handle all shotguns using proper gun safety guidelines.

5. ALWAYS KEEP THE GUN POINTED IN A SAFE DIRECTION.

A safe direction is one in which an accidental discharge cannot or would not cause injury or harm to yourself or others. Use extreme caution especially when loading and unloading your OP TAC 300. When handling any shotgun always treat it as if it was loaded and ready to fire, even if you think it is empty.

NEVER:

- Point your shotgun at anything you don't intend to shoot.
- Use a shotgun under the influence of alcohol, drugs, or any other substances that may impair your judgment, skills, or physical abilities.
- Target shoot or hunt with a shotgun when you are fatigued or too tired to operate the shotgun safely.
- Use your shotgun if you have an illness or disability that could compromise your judgment and the safety of yourself or others.

6. ALWAYS USE THE CORRECT AMMUNITION.

All shotguns are manufactured to use a certain caliber or gauge of ammunition. Only use ammunition that the manufacturer has recommended. Always verify before loading that you have the correct ammunition that matches the manufacturer's recommendations. Using improperly reloaded or incorrect ammunition can cause death and injury. This can also damage or destroy your shotgun which will void any warranty.

NEVER:

- Shoot the gun unless you know you have the proper ammunition.
- Use hand loaded, nonstandard or reloaded ammunition.

- Fire ammunition that exceeds industry standard pressure specifications.
- Use old, soiled, or damaged ammunition.
- Use ammunition which does not feed reliably in your particular shotgun as it may malfunction at a critical juncture.

7. ALWAYS STORE YOUR SHOTGUN IN A SECURED STORAGE AREA TO PREVENT UNAUTHORIZED ACCESS OR USE FROM OTHER INDIVIDUALS.

There are many types of shotgun storage devices as well as locking devices attached directly to the shotgun itself.

Each individual must consider their particular circumstances so that the shotgun is stored and maintained for optimal safety and security.

Metal gun safes are recommended over open racks or glass front cabinets. Mechanical safeties built into the shotgun can fail and should not be used as a substitute for safe gun handling and adherence to all shotgun safety rules. Additionally, always store your ammunition locked up and secured separately from any shotguns.

NEVER:

- Store or hide a loaded shotgun.
- Leave your shotguns where unauthorized access from other individuals can occur.

- Allow access to individuals who do not understand or follow the rules of proper gun safety.
- Leave an unsecured shotgun in a bed, drawer, closet, or any other vehicle that could allow access to children or other unauthorized individuals to any shotguns without close supervision and proper shotgun safety training.

8. ALWAYS COMPLY WITH ALL LOCAL, STATE, AND FEDERAL LAWS THAT GOVERN THE OWNERSHIP, STORAGE, CARRYING, AND USE OF SHOTGUNS.**NEVER:**

- Vandalize any public or private property by using it as a target.
- Poach a game animal out of season.
- Kill any animal you don't intend to eat.

9. ALWAYS KNOW YOUR TARGET AND WHAT IS BEYOND.

Before you pull the trigger be sure of your target and what is behind it. Shoot only in areas that have approved

backdrops such as a shooting range, or backstops such as a hillside or berm. Also, know how far your shot will travel in case you miss the target or the bullet ricochets.

NEVER:

- Fire in the direction in which there are people.
- Fire at a sound, movement, or a flash of color.
- Shoot directly upwards or at a high angle of elevation.
Firing at or into the air can have enough energy to travel long distances and accidentally injure or kill someone.
- Shoot across a highway or other roadway.

10. ALWAYS WEAR EYE/EAR/BODY PROTECTION.

Gases and debris can cause injury so it is very important that one wears protective gear to preserve their hearing and eyesight. Also, while in the field wear at least 1000 square inches or more of blaze orange so that you can be visible by others.

NEVER:

- Discharge a shotgun in a poorly ventilated area.

IMPORTANT WARNING: Possible lead exposure can occur when discharging shotguns in a poorly ventilated area, cleaning the shotgun, or handling ammunition. Lead and its components are substance known to cause birth defects, reproductive destruction/impairment, cancer, or other serious health conditions and injury. Always have adequate ventilation at all times and wash your hands and other contact areas thoroughly after each exposure.

11. ALWAYS HANDLE WITH EXTREME CARE IF YOUR GUN FAILS TO FIRE WHEN THE TRIGGER IS PULLED.

If the ammunition doesn't fire when you pull the trigger, STOP! and remember to always keep the shotgun pointed in a safe direction. Keep your face away from the breech, then put the safety on, carefully open the action, unload the shotgun and dispose of the cartridge safely. Always keep in mind that anytime there is a shell in the chamber, your OP TAC 300 is LOADED and ready to fire. Even if you tried to shoot and the shotgun did not fire, always treat it as if it could still discharge.

12. ALWAYS TREAT THE SHOTGUN AS IF IT WAS LOADED. EVEN IF THE SAFETY IS POSITIONED CORRECTLY AND KEEP YOUR FINGERS AWAY FROM THE TRIGGER WHEN LOADING AND UNLOADING.

A gun is a mechanical device and is not foolproof and is subject to wear and tear over time. Always keep your fingers away from the trigger when you are loading and unloading, if the manual safety proves to be ineffective for any reason, danger of an unintentional discharge exists. The weapon is then to be immediately unloaded and restricted from further use. Contact the factory or your importer so that the gun can be inspected and repaired by an authorized gunsmith. REMEMBER THAT ANY SHOTGUN SAFETY MECHANISMS CAN FAIL, EVEN IF THE SAFETY IS ENGAGED. YOU SHOULD ALWAYS

ASSUME THAT A SHOTGUN IS LOADED WHEN HANDLING IT.

NEVER:

- Risk an accidental discharge by walking with a loaded shotgun when going through or climbing obstacles such as a fence or other obstructive barriers.
- Rely on your gun's safety mechanisms.
- Sleep with a loaded shotgun in your possession.

13.ALWAYS KEEP YOUR OP TAC 300 IN THE SAME MECHANICAL AND STRUCTURAL CONFIGURATION AS IT WAS WHEN IT WAS MANUFACTURED.

This shotgun was produced under specific manufacturer guidelines and should not be altered or changed under ANY circumstances. Performing conversions by altering the trigger, mechanical components, safety mechanisms, or using any other products other those provided in the original box is NOT RECOMMENDED by the manufacturer, and could result in death, bodilyharm, or compromising your safety or the safety of others. Anyalteration made to the shotgun also voids thefactory warranty. Like any mechanical device it is subject to normal wear and tear from use. In order to maintain optimal safety and performance it should be periodically serviced. You must regularly clean and lubricate your shotgun to maintain its functionality, accuracy, safety,

and reliability. Always before cleaning or lubricating any shotgun make sure that you perform a safety check to make sure that the shotgun is completely unloaded prior to performing any routine maintenance. If for some reason your shotgun does require repairing, you must contact your importer for an approved service provider. Using unauthorized personnel to repair your shotgun will void your manufacturer's warranty.

NEVER:

- Alter, convert, or change your shotgun from its original manufacturer's configuration.
- Try to shoot out an obstruction by loading another shell and firing.

IMPORTANT WARNING: This shotgun was designed to function properly in its original condition. The manufacturer will not be held liable or legally responsible for any alteration performed on it after it leaves their control. This includes any addition or substitution of parts or accessories that are not manufactured by original manufacturer. Any changes made to the shotgun is specifically contrary to our instructions and we expressly do not authorize any changes to be made after manufacture. Do not jeopardize the safety of yourself or others by making modifications to your OP TAC 300.

14.ALWAYS MAKE SURE THE BARREL IS CLEAR OF ANY OBSTRUCTIONS BEFORE SHOOTING.

Before loading always perform a safety check to make sure that there is no ammunition in the chamber or magazine. Examine the barrel for any obstructions or debris such as excess lubricant, dirt, or grease. If the bore is obstructed it can cause increased pressure causing the barrel to bulge or burst during use. Always use a cleaning rod and patch to remove any residues or obstructions in the barrel. Be familiar with your OP TAC 300. If the noise or recoil seems muffled or weak then STOP! And proceed to unload your shotgun and check to make sure nothing is lodged in the barrel.

***IMPORTANT WARNING:** Children are attracted to and can operate shotguns that can cause severe injuries or death. Prevent child access by always keeping guns locked away and unloaded when not in use. If you keep a loaded shotgun where a child can obtain and improperly use it, you may be fined or sent to prison.*

TRANSPORTATION

For your own safety and the safety of others, always transport the shotgun unloaded and under lock. Never carry or transport the shotgun with a round in the chamber and the hammer cocked.

STORAGE

Shotguns should always be stored securely and unloaded, under lock and key. When storing your shotgun, keep it separated from any ammunition and out of the reach of children and other inexperienced or unauthorized persons. Never place or store any shotgun in such a manner that it may be dislodged or dropped.

LOADING THE SHOTGUN

1. First, point the shotgun in a safe direction. Remember, a safe direction means that the gun is pointed so that even if it were to go off, it would not cause injury, damage, or death. Always perform a safety check to make sure that the chamber is empty.
2. Confirm visually and physically that the magazine is empty. Remember to only use ammunition that is recommended by the manufacturer.
3. Check that the safety catch is on.
4. Pull the bolt back until it locks.
5. Drop the first shell on to the carrier through the ejection port and press the carrier release button to close the bolt.

6. Load the other shell one at the time by inserting them pass the carrier until the carrier latch is able to take a hold of the shell.

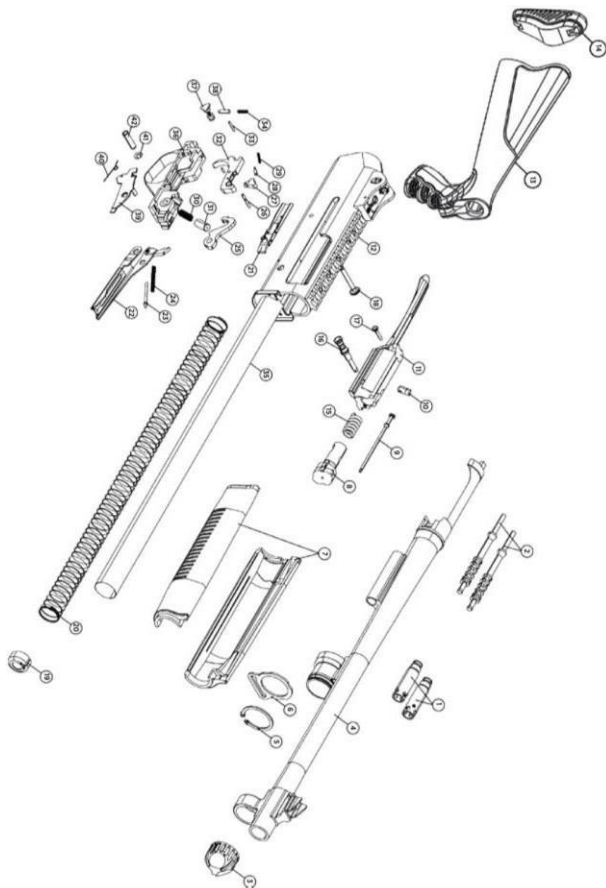
THE SHOTGUN IS NOW LOADED AND READY TO FIRE!

IMPORTANT WARNING: ALWAYS UNLOAD YOUR SHOTGUN IMMEDIATELY AFTER SHOOTING

UNLOADING THE SHOTGUN

1. Point the shotgun in a safe direction. Remember, a safe direction means that the gun is pointed so that even if it were to go off, it would not cause injury, damage, or death.
2. Be sure that the safety catch is on. To extract the round from the chamber, pull the bolt back making sure that your hand is covering the ejection port to catch the shell. You can clear the magazine too. To do this, flip the gun over, press the carrier latch in releasing its grip on the shell. The shell carrier latch is located in the inside edge of the magazine tube and grips the rim of the shell. Repeat this step until all shells are extracted.
3. Make a last check to ensure a clear chamber and magazine. Your shotgun is now safe for disassembly or storage.

EXPLODED VIEW



COMPONENTS LIST

1. Gas Plug	22. Carrier
2. Gas Piston	23. Carrier Spring Plunger
3. Magazine Tube Cap	24. Carrier Spring
4. Barrel	25. Hammer
5. Front Sight Holder	26. Disconnecter Pin
6. Front Sight	27. Disconnecter
7. Forend	28. Disconnecter Plunger
8. Bolt Head Assembly	29. Grip
9. Firing Pin	30. Hammer Spring
10. Locking Head Pin	31. Hammer Spring Cap
11. Bolt	32. Trigger
12. Picatinny Rail	33. Safety Plunger Holding Pin
13. Stock	34. Safety Plunger Spring
14. Recoil Pad	35. Magazine Tube
15. Firing Pin Spring	36. Trigger Group
16. Charging Handle	37. Safety Button
17. Firing Pin Holding Pin	38. Safety Plunger
18. Trigger Guard Pin	39. Carrier Drop Lever
19. Mag. Spring Seal Ring	40. Shell Release Lever Spring
20. Magazine Spring	41. Trigger Guard Pin Ring
21. Carrier Latch	42. Trigger Pin Bushing

OP TAC 300 SHOTGUN DISASSEMBLY INSTRUCTIONS

IMPORTANT WARNING: Before you begin any disassembly, always

- Point the shotgun in a safe direction,
- Visually and manually inspect the chamber to confirm that it is empty.



1. Push out the Trigger Guard Pin








2. Remove the trigger group



3. Unscrew the Magazine Tube Cap.



4. Hold the forend and slide forward to take off the magazine tube.

	<p>5. Remove by pulling out both side of the forend.</p>
	<p>6. Pull out the barrel group.</p>
	<p>7. Turn clockwise or counterclockwise the changing handle and pull out.</p>
	<p>8. The bolt group can finally be removed from the receiver.</p>
	<p>9. The shotgun is fully disassembled.</p>

THE SHOTGUN IS NOW FIELD STRIPPED.

As with most shotguns, reassembly is carried out in the reverse order of disassembly. Therefore, refer to the section above for reassembling process.

AMMUNITION

All steel or lead shot 12-Gauge shotgun cartridges manufactured and loaded with current industry specifications can be used in the OP TAC 300 shotgun. This shotgun has 3-inch chambers and may be used with all standard commercially manufactured 2 3/4 inch (70mm) and 3 inch (76mm) shot shells. It is intended to be used with only standard ammunition of the proper gauge and loading. Remember that the shotgun functions by energy generated by gas expansion. Therefore, one must always use ammunition that is strong enough to fully cycle the action.

Ammunition Disclaimer: The manufacturer disclaims any responsibility for damage or injury that occurs in connection with or as a result of using faulty, nonstandard, remanufactured, hand loaded (reloaded) ammunition or other shotshells other than those for which the shotgun was originally chambered.

Ammunition Warning: Shotguns can be damaged, and death or serious injury may result from any condition which generates excessive pressure or uncontrolled release of gas within the shotgun. These adverse conditions can be caused by chamber or bore obstructions, propellant powder overloads, or by old, defective, incorrect, or improperly loaded and assembled shotshell components. It is extremely dangerous to use a shotshell whose pressure exceeds

those developed to industry standards. Any shotgun can be blown up with excessive pressure.

Lead Exposure Warning: Possible lead exposure can occur when discharging shotguns in a poorly ventilated area, cleaning the shotgun, or handling ammunition. Lead and its components are substances known to cause birth defects, reproductive destruction/ impairment, cancer, or other serious health conditions and injury. Always have adequate ventilation at all times and wash your hands and other contact areas thoroughly after each exposure.

CHOKES

The OP TAC 300 shotgun comes with 3 screw-in internal chokes (Full, Modified, and Cylinder). Each choke can be identified by the number of notches on it (I: Full, III: Modified, IIIII: Cylinder). A choke wrench is supplied in the box with the chokes. Before you attempt to install a choke always perform a safety check to make sure that the shotgun is unloaded and pointed in a safe direction. To install the choke, you can insert it into the end of the barrel and hand screw it. It can then be tightened with the choke wrench to secure it in place.

Screw-in Choke Warning: Never peer directly into the shotgun's muzzle or change chokes when the gun is loaded regardless of the position of the safety. Never fire the shotgun if the screw-in choke is not fully and tightly bottomed to the barrel threads, or improperly installed or "cross-threaded", or if the threads of the barrel or choke insert is damaged. In this situation the barrel will be damaged and the choke insert will be propelled out of the muzzle with high velocity which can result in death, serious injury, or property damage. Never fire the shotgun without the screw-in choke in place as it will cause an unpredictable shot pattern and damage the choke threads in the barrel thus making correct installation of the screw-in choke impossible without expensive re-barreling. Never use other makes of choke tubes except for the OP TAC 300 brand and never alter any components provided with your OP TAC 300.

Manufacturers Warning: This shotgun was designed to perform with its original parts. It is your responsibility to make sure that any parts you buy are authentic and correctly installed and that the parts have not been altered or changed. It is imperative that only factory parts be used as replacements to assure that the shotgun remains functionally safe and operates accurately. The gun owner accepts full responsibility for the correct reassembly and functioning of the shotgun after any disassembly or replacement of parts.

LEANING AND MAINTENANCE

Important Warning: Before you start cleaning your shotgun always make sure it is unloaded and pointed in a safe direction.

Lubrication Warning: Firing a shotgun with oil, grease, or other debris partially obstructing the bore may result in damage to the shotgun or injury to the shooter and those nearby. Before firing make sure the bore and chamber of the barrel is unobstructed and dry. Never spray or apply lubricant on shotshells. Firing another shotshell behind an obstruction may damage the shot-gun and cause death or injury. Only use lubricants properly and sparingly. You are responsible for the proper care and maintenance of your shotgun.

STEP 1: Disassemble your shotgun (See pages 24-25).

STEP 2: Using a proper cleaning rod, run a solvent-wetpatch through the bore several times. This will then be followed by running dry patches through the bore to remove any debris or residue.

STEP 3: If the bore is leaded to the extent that the above patch cleaning procedure did not remove the lead, then scrub the full length of the bore with a solvent-wet brass bristle brush. When the leading is loose, repeat step 2.

STEP 4: The surfaces of the bolt carrier, ejector, and inside surfaces of the receiver should be coated very lightly with non-penetrating lubricating oil.

STEP 5: Reassemble the shotgun and wipe the exterior metal surfaces sparingly with an oiled cloth. Swab the bore with an oily patch before storing the shotgun.

STEP 6: Place the shotgun in a safe, locked storage space where unauthorized persons cannot access the shotgun. Never store the shotgun in a leather case as leather attracts moisture even though it may appear dry.

WARRANTY POLICY

The manufacturer provides to the original retail purchaser a WARRANTY for a period of two (2) years from the date of purchase against defects in material or workmanship. It will be the discretion of the manufacturer and importer as to whether the parts/labor or replacement will result in a charge to the consumer. The importer or manufacturer has the right to research, inspect, and test the weapon to assess any claim made under the warranty.

WARRANTY EXCLUSIONS

The warranty is VOID if the shotgun has been altered, abused, misused, damaged by accident, fired with hand loaded or reloaded ammunition, obstructions in the barrel, or damage due to failure to provide regular and necessary maintenance. This warranty is VOID if any unauthorized repair or alteration is performed on the shotgun. Also, transportation to and from our repair facilities, along with government fees are not covered by the warranty.



**OPTIMUM
ARMS**

THE WISE CHOICE